

INCLUSIVE SWING SEAT

Model: **BROWNIE**



Inclusive swing seat with safety fastening system designed and certified under the EN1176-2 standard. Made of polyethylene.

It is recommended that the user is accompanied by an adult.

It is supplied with or without chains for installation in all types of frames, which comply with the reference regulations.

- **Drain hole** designed to prevent water stagnation
- **With shock absorbing pad**
- **Recommended age:** 3 to 8 years
- **Recommended maximum user weight:** 120 kg



AVAILABLE COLORS:

BLUE
30% RECYCLED
RAL 5001

GREEN
30% RECYCLED
RAL 6026

RICE HUSK

BLACK
100% RECYCLED
RAL 9011

ORANGE
100% RECYCLED
RAL 2010

CHECK AVAILABLE REFERENCES



Models



Measures

Height with chains*
720 mm

460 mm

550 mm

Packaging

740 mm
570 mm 480 mm

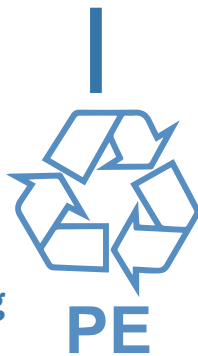
✓ With chains 16,5 kg
✗ No chains 12,7 kg

* Height with long chains = 1.910 mm
Height with short chains = 1.610 mm

The inclusive brownie swing seat can be purchased in various colors and with long, short or no chains.



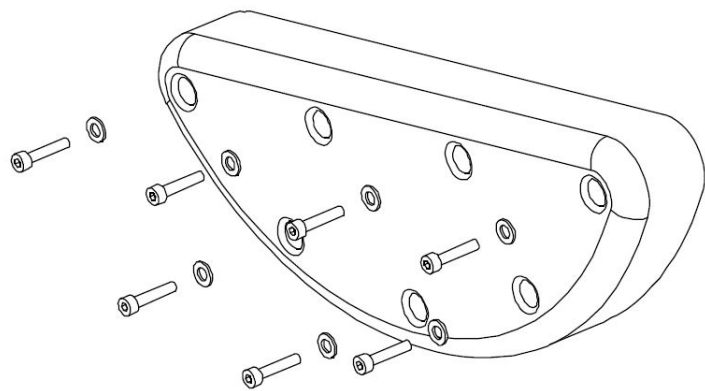
CERTIFICADORA ACREDITADA POR ENAC 6 UNE-EN 1176-2:2018



REPLACEMENT SETS

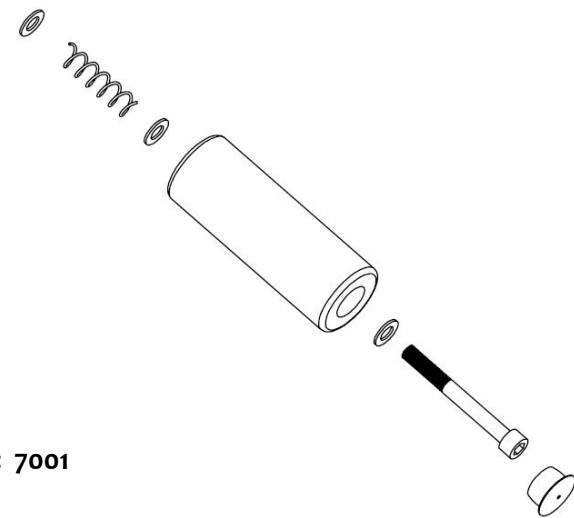
Model: **BROWNIE**

Pad replacement sets



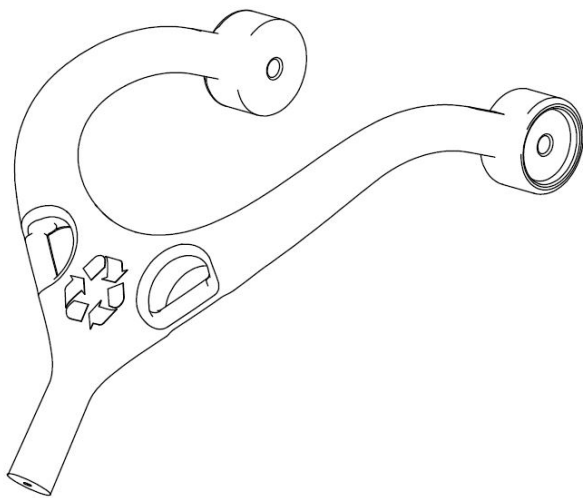
REF: 7000

Closing replacement set



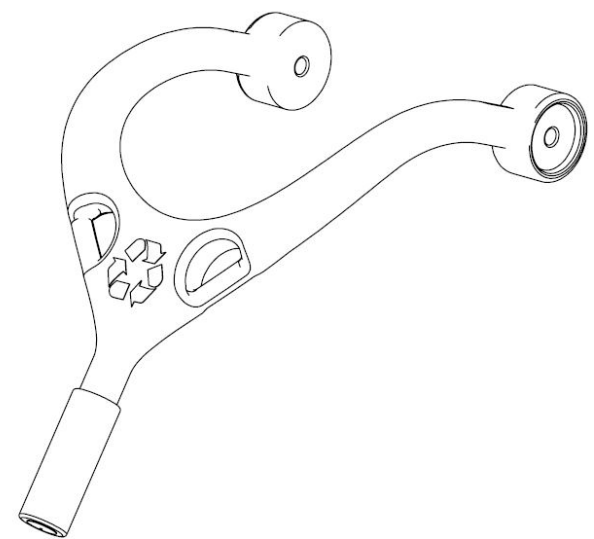
REF: 7001

Harness replacement set



REF: 7002

Harness replacement set with closure



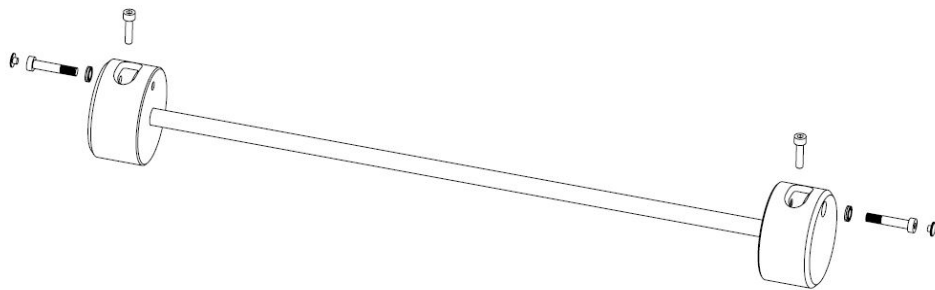
REF: 7003



REPLACEMENT SETS

Model: **BROWNIE**

Cylinder replacement set



REF: 7004

Short chains replacement sets



REF: 705

Long chains replacement chains



REF: 706

